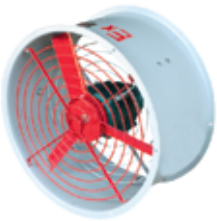


BAF

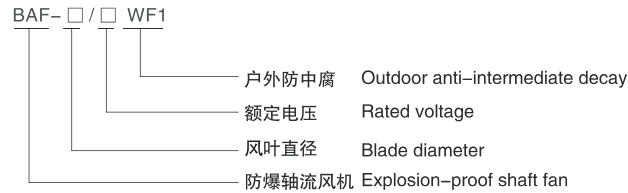
系列防爆轴流风机(II B)



适用范围 Application

- 适用于1区、2区危险场所。
- 适用于II A、II B类，温度组别为T1~ T4的爆炸性气体环境。
- Can be used in hazardous areas: Zone 1 and Zone 2
- Can be used in explosive gas atmospheres of Category IIA and II B where the temperature classification is T1 ~ T4.

型号含义 Model implication



主要技术参数 Main technical parameters

- 执行标准: GB 3836.1、GB 3836.2、IEC60079
- 防爆标志: Exd II BT4
- 主轴转速: 1450r/min
- 进线口螺纹: G3/4"
- 电缆外径: Φ 9mm ~ Φ 14mm
- Implementing the standard : GB 3836.1、GB 3836.2、IEC60079
- Ex-mark: Exd II BT4
- Rotation speed: 1450r/min
- Inlet's thread: G3/4"
- Cable's outer diameter: ϕ 9mm~ ϕ 14mm

产品型号 Type	额定电压(V) Rated voltage	输入功率(kW) In-put power	风量(m ³ /h) Wind flow	叶轮直径(mm) Impeller diameter
BAF-300	220/380	0.18	1000	300
BAF-400		0.37	2200	400
BAF-500		0.55	4900	500
BAF-600		0.60	8700	600

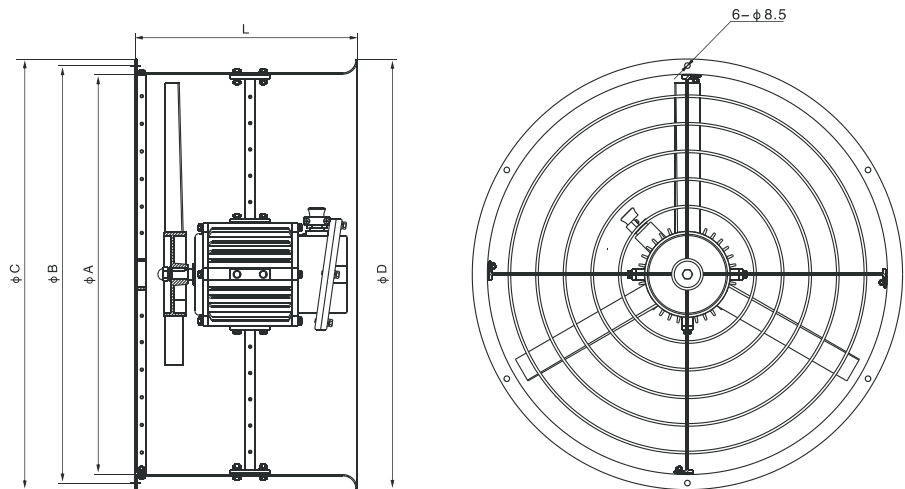
BAF

Type explosion-proof shaft type fan (II B)

产品特点 Features

- 防爆轴流风机由防爆电机、扇叶、风筒等部分组成。
- 防爆轴流风机风筒采用优质钢板焊接成型，叶片由铝合金铸造成形，表面高压静电喷塑。
- 四种安装方式可供选择：壁式、管道式、岗位式、固定式。
- 钢管和电缆布线。
- Explosion-proof ceiling fan consists of Ex-motor, blades and cylinder etc.
- Air duct of explosion-proof axial flow fan is formed by welding of quality steel plate, and the fan blades are cast in aluminum alloy and with surface sprayed.
- According to users' request: installation ways are: Wall type、Pipe type、Bracket type、Fixed type.
- Conduit wiring or cable wiring.

外形及安装举例 Outline and mounting example



尺寸 Size 型号 Type	L	ϕA	ϕB	ϕC	ϕD
BAF-300	270	308	330	355	355
BAF-400	275	408	430	455	455
BAF-500	290	508	535	560	560
BAF-600	290	608	635	660	660