

## BAK-51-L 防爆LED视孔灯(II C)

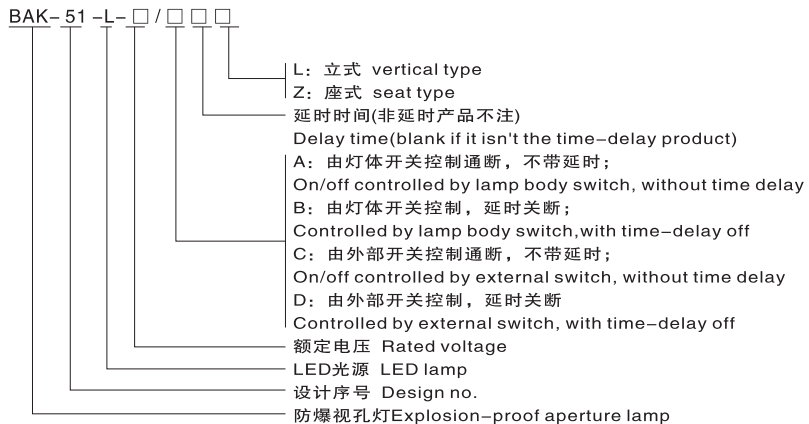


### 适用范围 Application

1. 适用于爆炸性气体环境1区、2区；
2. 适用于IIA、IIB、IIC级爆炸性气体环境；
3. 适用于温度组别为T1 ~ T6的环境；
4. 适用于石油采炼、储存、化工、医药、军工及军事设施等爆炸性危险环境；
5. 主要用于化学反应容器照明；
6. 支架式安装时可用作小范围投光照明；
7. 采用高亮节能LED光源，低能耗、长寿命、免维护；
8. 充分考虑现场使用需求，特设磁控开关，具有延时关断和触控关断两种控制方式。

1. It is applicable for zone 1 and zone 2 in explosive gas atmosphere;
2. It is applicable for explosive gas atmosphere CAT. IIA, IIB and IIC;
3. It is applicable for temperature groups T1-T6.
4. It is applicable for dangerous explosive locations such as oil exploitation, petroleum refining and storage, chemical industry, medical industry, war industry, military installation, etc;
5. It is applicable for lighting of chemical reaction vessels;
6. It is applicable for small-scale projection lighting when it adopts rack mounting;
7. It adopts high-brightness energy-saving LED light source, with low power consumption, long service, and maintenance free;
8. Fully consider the field using demands, it is especially equipped with magnetic control switch that has time-delay turn off and touch-control turn off two modes.

### 型号含义 Model implication



## BAK-51-L

Explosion proof LED light  
hole lamp (II C)

### 产品结构性能 Product structure performance

1. 外壳采用铝合金高压铸造成型，表面经抛丸后高压静电喷塑；
2. 防爆等级高，外形轻巧美观；
3. 采用高亮度节能LED作为光源，绿色环保，具有低能耗、长寿命、免维护等优点；
4. 针对危险环境下的化学反应容器或特定地点。专门设计磁控开关；
5. 开关内置，用户不需另配专用防爆照明开关；
6. 具有延时关断和触控关断两种控制方式，延时时间可根据用户要求定制；
7. 根据不同的使用场所，此灯具还可作小范围的投光照明，极具灵活性；
8. 内部电路设有短路保护功能；
9. 优良的密封结构设计，防水防尘性能好；
10. 钢管或电缆布线。

- 1.The shell is made of aluminum alloy by means of high-pressure casting, and the surface is treated with high-pressure static powder coating after shot blasting.
- 2.High explosive-proof grade, elegant appearance;
- 3.Adoption of high-brightness LED as the light source, it is featured with environmental friendly, low power consumption, long service life, maintenance free, etc;
- 4.It is applicable for chemical reaction vessels or special locations in dangerous environment, with special magnetic control switch;
- 5.Built-in switch, need not additional explosion-proof lighting switch;
- 6.With time-delay turn off and touch-control turn off two modes, the delay time can be custom-made according to users' requirements;
- 7.It also can be used as small-scale projection lighting for some applications, with good flexibility;
- 8.The internal circuit is equipped with short-circuit protection function;
- 9.Excellent seal structure design, with good watertight and dustproof performances;
- 10.Steel pipe or cable wiring.

## BAK-51-L 防爆LED视孔灯(ⅡC)

### 主要技术参数 Main technical parameters

执行标准(Executive standard): GB 3836.1、GB 3836.2、IEC60079

防爆标志(Ex-mark): ExdIICT6Gb

额定电压(Rated voltage): AC 36/110/220V

光源(Light source): 高亮度LED

额定功率(Rated power): ≤3W

延时关断时间(Time-delay turn off time): 5min、10min

防护等级(Protection grad): IP66

防腐等级(Corrosion-proof-class): WF1

引入口规格(Entry spec): G1/2"

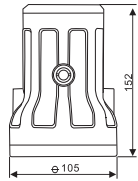
适用电缆外径(Cable's outer diameter): Φ6mm ~ Φ10mm

### 选型表 Selection table

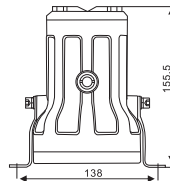
型号规格 Type	额定电压 Rated voltage	延时时间 min	光源 Lamp	功率(W) Power	防爆标志 Ex-mark	防护等级 Protection grad
BAK51-AC36/A	AC36	/	LED	≤3	ExdIICT6Gb	IP66
BAK51-AC110/A	AC110	/				
BAK51-AC220/A	AC220	/				
BAK51-AC36/B5	AC36	5				
BAK51-AC36/B10	AC36	10				
BAK51-AC110/B5	AC110	5				
BAK51-AC110/B10	AC110	10				
BAK51-AC220/B5	AC220	5				
BAK51-AC220/B10	AC220	10				
BAK51-AC36/C	AC36	/				
BAK51-AC110/C	AC110	/				
BAK51-AC220/C	AC220	/				
BAK51-C36/D5	AC36	5				
BAK51-AC36/D10	AC36	10				
BAK51-AC110/D5	AC110	5				
BAK51-AC110/D10	AC110	10				
BAK51-AC220/D5	AC220	5				
BAK51-AC220/D10	Ac220	10				

**BAK-51-L**Explosion proof LED light  
hole lamp (II C)

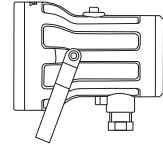
## 外形及安装尺寸 Outlines &amp; installation dimensions



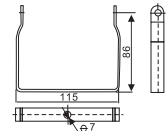
外形图 Outline drawing



立式(L) vertical type



座式(Z) seat type

座式安装附件图  
Socket type mounting accessories

## 订货须知 Order note

1. 用户需延时1-5min产品出厂整定为5min；需延时6-10min产品出厂整定为10min。如需延时10min以上产品订货时请注明。

2. 额定电压如有特殊要求请注明。

例：若需订购立式安装的BAK51-LED防爆视孔灯，额定电压为AC110。由灯体开关控制延时5min关断，则订货型号为BAK51-LED-AC110/B5L。

1.Factory default for products with time delay 1-5min is set as 5min; for products with time delay 6-10min is set as 10min.Please specify clearly if require the time delay more than 10min.

2.Please specify clearly for special requirements on rated voltage. e.g: if need a vertically installed BAK51-LED explosion-proof inspection hole lamp, rated voltage is AC110, with lamp body switch control, turn off after a delay of 5min, then the order model should be BAK51-LED-AC110/B5L.