

## BXM(D)

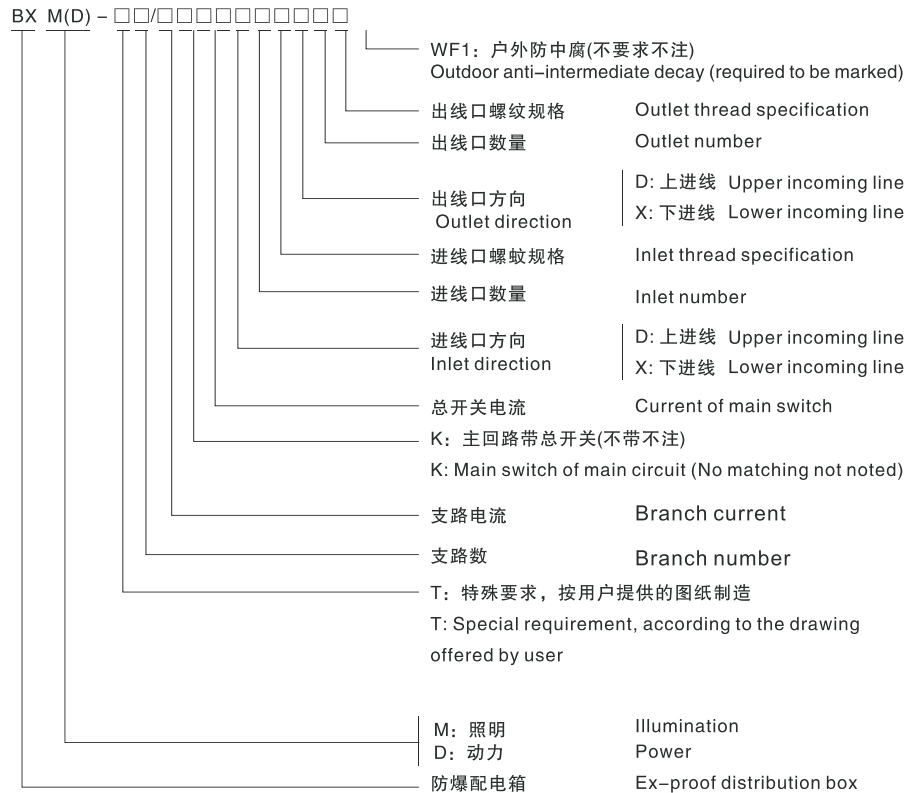
系列防爆照明(动力)配电箱  
(II B、II C、DIP)



### 适用范围 Application

- 适用于1区、2区危险场所。
- 适用于II A、II B、II C类场所。温度组别为T1~ T6的爆炸性气体环境。
- 适用于20区、21区、22区可燃性粉尘场所
- Can be used in hazardous areas: Zone 1 and Zone 2
- Can be used in explosive gas atmospheres of Category IIA、IIB and IIC where the temperature classification is T1 ~ T6.
- 

### 型号含义 Model implication



## BXM(D)

Type explosion-proof illumination (power) distribution box (II B、II C、DIP)

## 技术参数 Technical parameters

- |  |   |
|--|---|
| 1、执行标准：GB 3836.1、GB 3836.2、GB12476.1、GB 3836.3、IEC60079          | 1、Implementing the standard : GB 3836.1、GB 3836.2、GB12476.1、GB 3836.3、IEC60079    |
| 2、额定电压：AC380/220V  | 2、Rated voltage: AC 380/220V  |
| 3、主回路额定电流：60A~250A   | 3、Rated current of main circuit: 60A~250A   |
| 4、防爆标志：Exde II BT6 Gb/DIP A20TA T6<br>Exd II CT6 Gb/DIP A20TA T6 | 4、Explosion-proof mark: Exde II BT6 Gb/DIP A20TA T6<br>Exd II CT6 Gb/DIP A20TA T6 |
| 5、防护等级：IP55 ,IP65  | 5、Protection grade: IP55 ,IP65  |
| 6、防腐等级：WF1   | 6、Explosion-proof class WF1   |

型号 Type	支路数 Branch number	主回路总开关数(台) Switch No. Of main circuit	支路额定电流(A) Rated current of main circuit	管螺纹(G" ) Thread		电缆外径(φ,mm)Cable's outer diameter	
				进线 Inlet	出线 Outlet	进线 Inlet	出线 Outlet
BXM(D)-4	4	1	1	G11/4"	G1/2"	18、22、26	10~22
BXM(D)-6	6		3				
BXM(D)-8	8		5				
BXM(D)-10	10		10				
BXM(D)-12	12		15				
BXM(D)-4K	4		20			G3"	
BXM(D)-6K	6		25				
BXM(D)-8K	8		32、40				
BXM(D)-10K	10		50				
BXM(D)-12K	12		60				

## 产品特点 Features

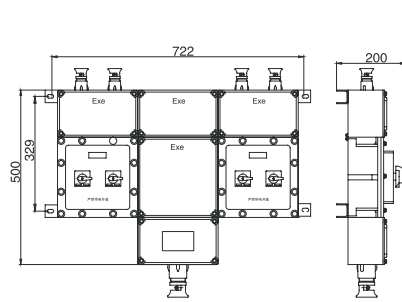
- 壳体采用ZL102铝合金压铸成型，表面高压静电喷塑；
- 内装高分断小型断路器或塑壳式断路器，有DZ47、RDM1可供选择；
- 本产品为复合型，开关箱采用隔爆型结构，母线箱及出线箱采用增安型结构，腔体均设有密封圈，具有良好的防水、防尘功能；
- 本产品具有过载、短路保护功能，可根据要求增加漏电保护等功能；
- 电缆或钢管布线；
- 可根据用户要求特制。
- The housing is die cast in aluminum alloy, with high voltage static plastic-sprayed surface.
- The shell is made of diecasted Al-alloy, inside is installed MCB or MCCB. Has DZ47, RDM1 to be supplied.
- The box is of combined type, its switch box is of explosion-proof structure, busbar protection and outlet compartment adopt safety-increased structure.
- With protections of overload and short-circuit, electrical leakage protection is able to add to the user's requirement.
- Conduit wiring or cable wiring.
- Special type can be made.

www. peopleex. cn

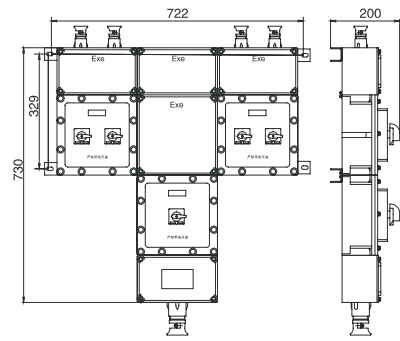
## BXM(D)

系列防爆照明(动力)配电箱  
(II B、II C、DIP)

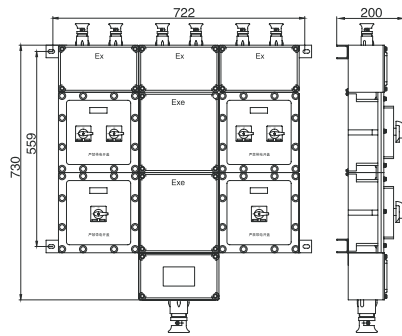
### 外形及安装举例 Outline and mounting example



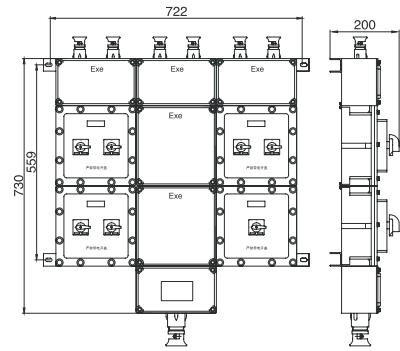
BXM(D)-4



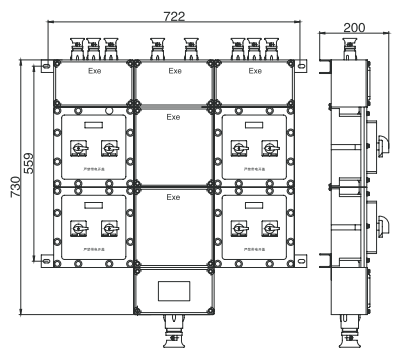
BXM(D)-4K



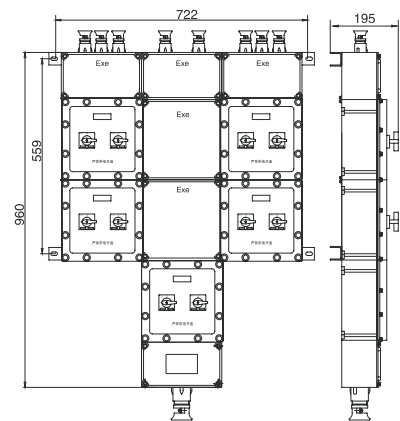
BXM(D)-6



BXM(D)-6K



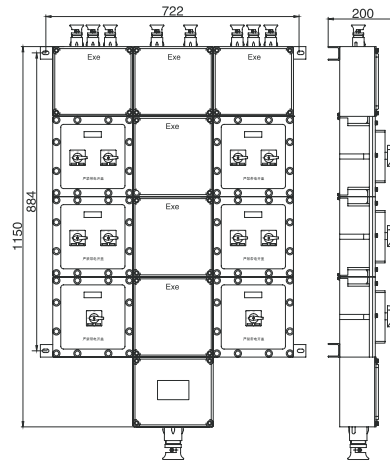
BXM(D)-8



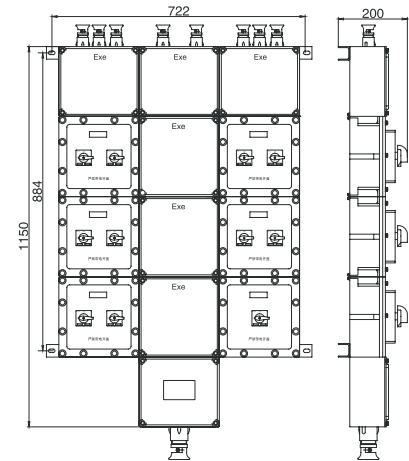
BXM(D)-8K

## BXM(D)

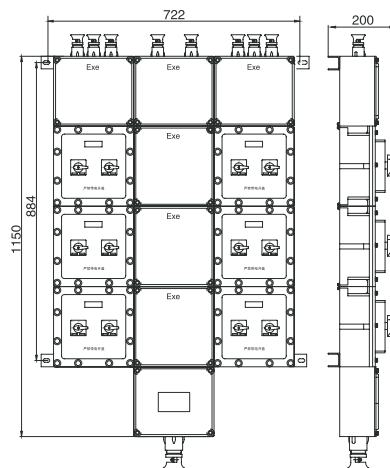
Type explosion-proof illumination (power) distribution box (II B, II C, DIP)



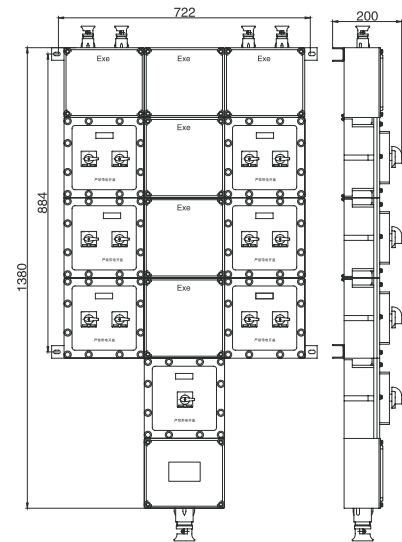
BXM(D)-10



BXM(D)-10K



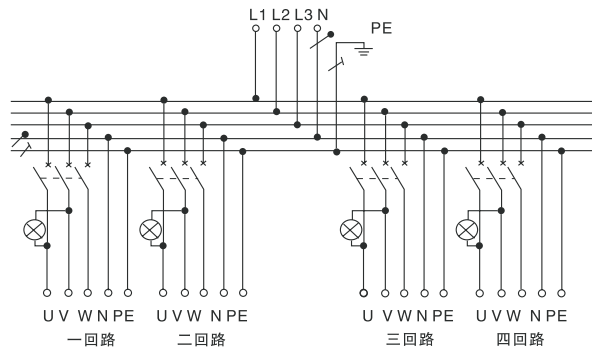
BXM(D)-12



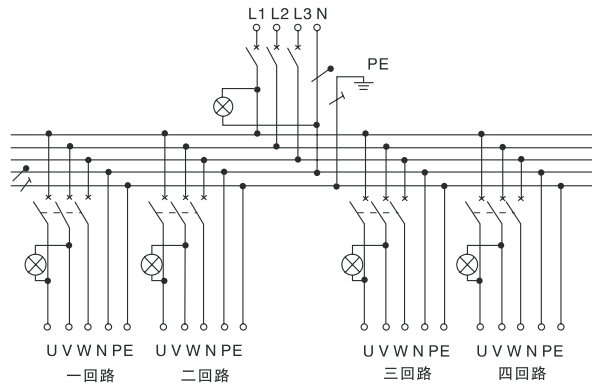
BXM(D)-12K

## BXM(D)

系列防爆照明(动力)配电箱  
(II B、II C、DIP)



BXM(D)-4



BXM(D)-4K

### 订货须知 Not ice if ordering

- 订货时应注明配电箱的回路数，各回路相应的电流以及断路器的极数，若需带漏电保护功能则还需注明；
- 如需带总开关则请注明总开关的电流及极数，并注明进出线方向，进出线规格及对应的数量；
- BXM(D)系列防爆照明(动力)配电箱，可根据用户要求进行特殊设计，用户提供电气系统图。
- Please indicate loop number of distributor case, corresponding current of each loop and number of poles in circuit breaker when ordering. If leakage protection function is needed, please indicate it otherwise;
- If need mains switch, please indicate the current and pole number as well as incoming/outgoing lines' direction and thread specification and corresponding number;
- Above are routine products of BXM(D) series, we also can make special designs according to customers' electrical system drawings.