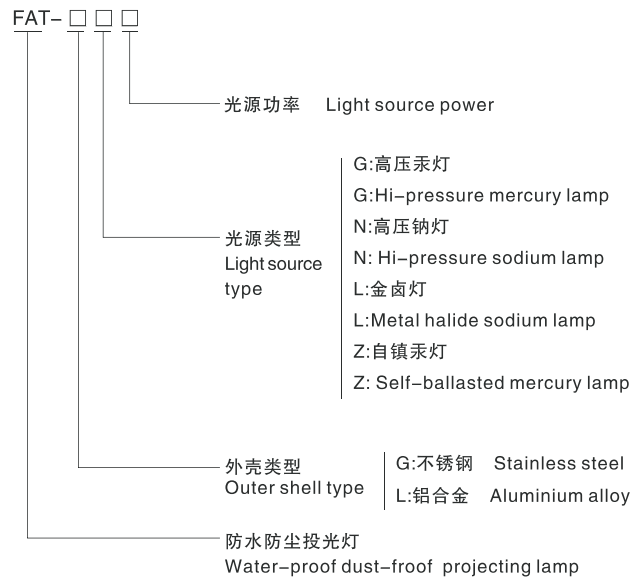


## FAT

系列防水防尘投光灯



### 型号含义 Model implication



### 使用环境 Environmenr conditions

- 环境温度-25° C至+55° C;
  - 安装高度不超过海拔2000m;
  - 适用于强酸、强碱、盐、氨、氯离子腐蚀多水、多尘、潮湿等环境;
  - 广泛应用于石油、化工、食品、制药、军工等工厂企业。主要作为室外远距离投光照明;
  - 根据不同的光源，必须选择匹配的镇流器，镇流器常规配置为铝合金外壳，如要求不锈钢，请注明。
- 
- Ambient temperature is-25° C to +55° C.
  - The height of installment can't over 2000 meters above sea level.
  - they can withstand the corrosion of strong acid, strong alkali, and the environment of more water, more dust and humidity.
  - they are widely used in the lines of petroleum, chemistry, food medicine, depot and so on, they are mainly used in illumination of the factories and the workshops
  - According to different illumination, they must choose electric ballast accordingly, the user's power voltage fluctuant range must accord to the national standard.

## FAT

Type water-proof dust-proof projecting lamp

### 产品特点 Features

- 灯具壳体采用ZL102铝合金压铸而成，外表面喷塑；
  - 本产品抗强酸、强碱、盐、氨、氯离子腐蚀，防水、防尘、防腐等级为WF1，防护等级为IP65；
  - 反光置为桔纹射罩，使光线更柔和；
  - 内装灯座采用铜质直动柱式触头，接触可靠，寿命长。
  - 所有外露紧固件均采用不锈钢，密封垫采用硅橡胶、耐油、耐酸、耐碱、耐高温；
- The shell of diecasted of alloy aluminium with plastic-sprayed surface
  - The products can withstand the corrosion of strong acid, strong alkali, salt, ammonia, chlorine, water-proof, dust-proof, corrosion-proof grade is WF1, protection grade is IP65.
  - Adopting reflection shade like orange surface so as to make light soft.
  - Inside is mounted lamp socket which is made of pole the contactor of copper material, with reliably contact and long-time life.
  - All the leakage fixers adopt stainless steel, the sealers adopt silicon rubber, which can withstand oil, acid, alkali and high temperature.

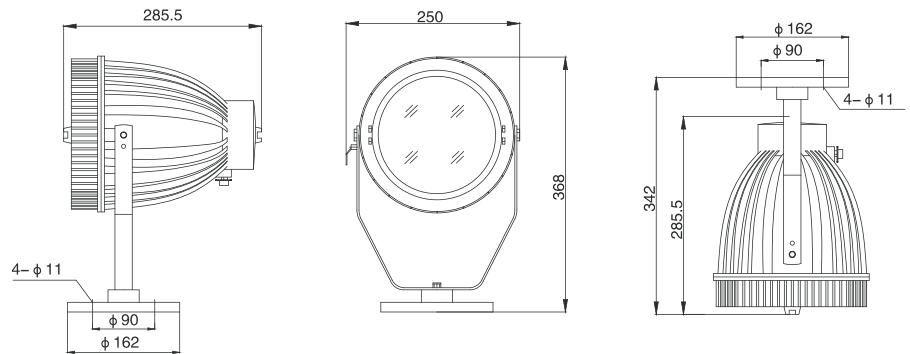
### 技术参数 Technical parameters

光源类型 Light source type	额定电压(V) Rated voltage	额定功率(W) Rated power	防护等级 Protection grade	防腐等级 Corrosion-proof grade	灯座规格 Lamp spec	电缆规格 (Φ,mm) Cable's spec	进线口规格 (G") Inlet's spec.
高压汞灯 Hi-pressure mercury lamp	AC220V	250, 400	IP65	WF1	E40	9~14	2~3/4
金卤灯 Metal halide lamp		175, 250, 400					
高压钠灯 Hi-pressure sodium lamp		150, 250, 400					
自镇汞灯 Self-ballasted mercury lamp		250, 450					

## FAT

系列防水防尘投光灯

### 外形及安装举例 Outline and mounting example



### 订货须知 Ordering references

订货时请注明产品的完整型号；

本产品出厂时不配光源，由用户自备。

Provide complete ordering products type.

Without providing the illuminant of lamp appliance.